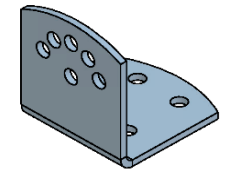
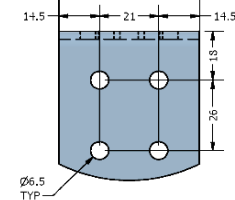
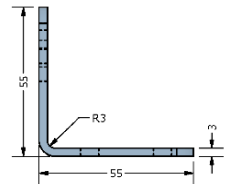
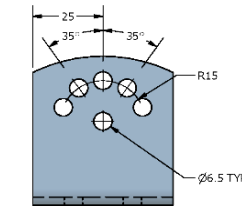
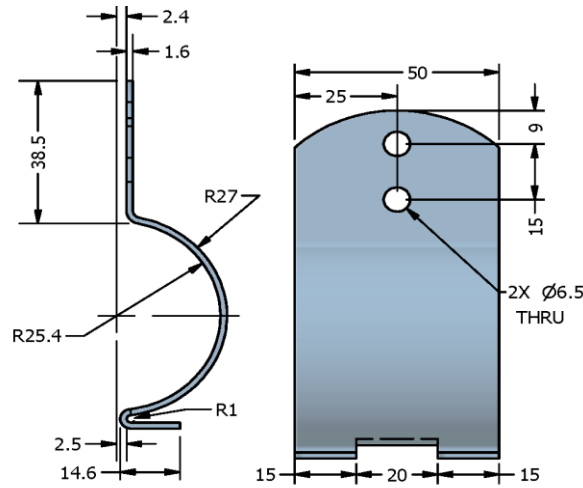
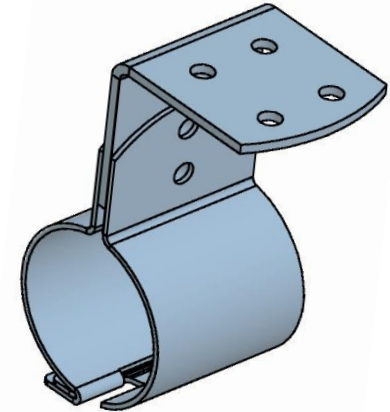


HD Bracket - FP-6300 shown



Notes :

- 1 Dimensions 190 x 51mm Excl Bracket
- 2 Weight 870g Excl Bracket
- 3 Aerosol Canister Material - SS 304L
- 4 HD Bracket Material - 2.5mm SS316
- 5 Std Bracket Material - 1.5mm SS304L

FIRE SAFETY EQUIPMENT PTY LTD

Rev	Drawing Change	by	Date
CRITICAL INSPECTION ITEMS DENOTED BY			
TOLERANCES UNLESS OTHERWISE SPECIFIED			
FRAC. ±0.020	2 PL. DEC. ±0.010	3 PL. DEC. ±0.003	TIR

Drawn By	Approved By	Title	Drawing No	Rev.
PM		FirePro Aerosol Generator	0080	B
Scale	Date	FP-0080		
	20-11-16			