

GENERAL OPERATIONS

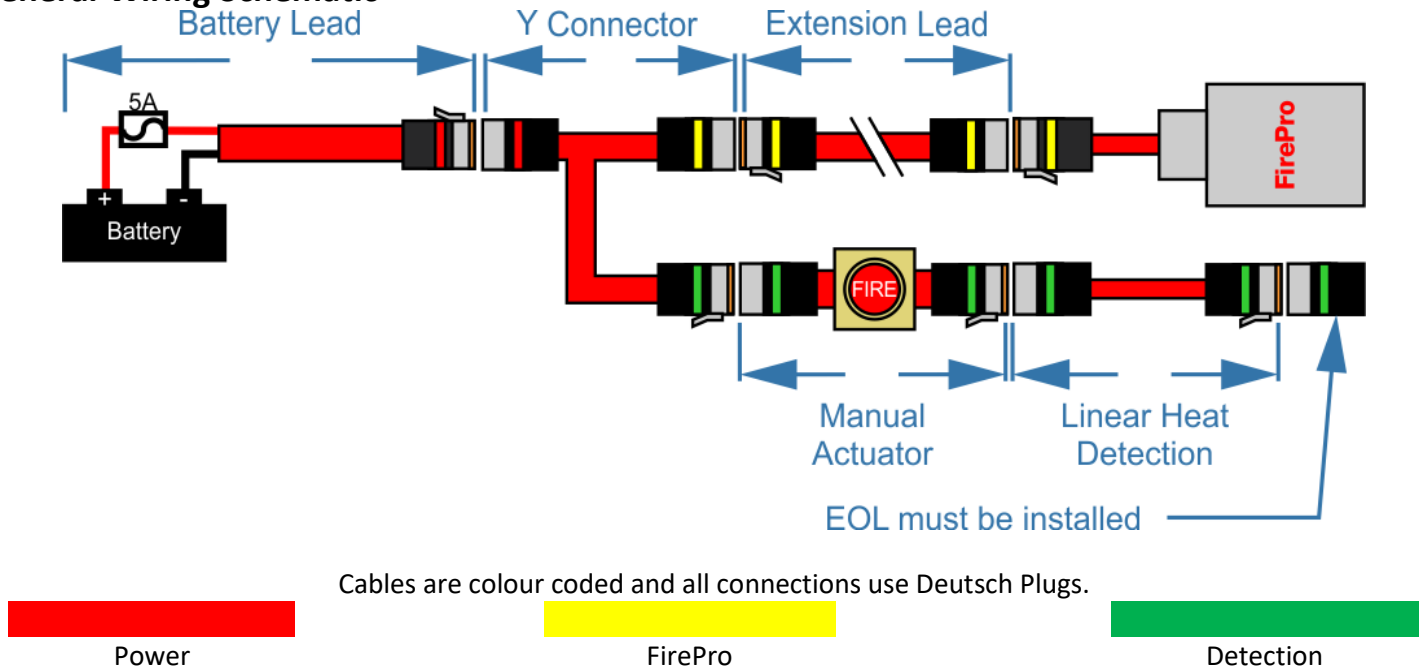
Installation uses a Manual Actuator or Linear Heat Detection as the activation device for the FirePro fixed fire extinguishing system.

Installation Notes

1. FirePro Brackets must be installed using Bolts – Tec Screws will vibrate loose in vehicle/marine installations.
2. FirePro units have a self-activation temperature of 300°C. Placement of units should be carefully selected.
3. All cabling in the FirePro Installation **MUST** be Installed using min 0.75mm shielded Fire Rated Cable
4. Power **MUST** be connected directly to Battery to ensure operation of the system.
5. Power range 12 – 24V DC.
6. If a Manual Actuator(s) is installed, placement is to be carefully considered – ensure that it is easily accessible in case of emergency.
7. If Linear Heat Detection is installed, the system will activate automatically. Follow instructions as per FP-09510 product manual.

Incorrect installation may cause activation.

General Wiring Schematic



Cabling Requirements

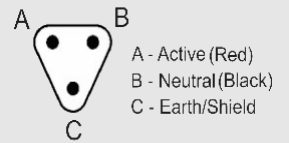
When constructing extension leads the supplied Deutsch Plugs must be used to ensure water-proof connections are made throughout the installation.

1. Cut cable to required length and strip outer insulation to approximately 25-30mm.
2. Strip inner insulation to approximately 6mm and using a Deutsch Crimping tool, fix pins to the exposed ends of the cable, including the earth where applicable.
3. Place heat shrink over the end of the cable. Identify correct socket on plug by the numbers/letter on the side of the plug and push through the gasket at the bottom of the plug until a click is heard and the pin is locked in place.
4. Place the locking mechanism inside the plug to ensure pins remain secure.
5. Using the heat shrink, seal the back of the plug.

**Deutsch Plug 2 Pin
Male/Female**



**Deutsch Plug 3 Pin
Male/Female**



Cables are colour coded for easy identification. When installing system, cables should be only connected to the correctly coded cable. Colour Coding for cables is as follows:

Colour	Circuit
	Red Power Supply
	Yellow 1 Activation
	Green 1 Detection 1

SPECIFICATIONS

Max Number of FirePro Units	4
Power Supply	12-24vDC directly to main battery
Fuse for Power Supply	5A
Max Number of Switches	6 switches over 50m
Activation Current for FirePro Units	0.25A for 3-6ms - once current applied no abort available
Thermal Clearance – Minimum	100mm from outlet

FirePro Generator Specifications

Model	FP-0080S	FP-0100S	FP-0200S	FP-0500S
Stream Length (mm)	2000	1000	1500	2500
Min Clearance from Combustibles (mm)	100	100	300	500

Operation Notes

1. In case of emergency, ensure all occupants have left the risk area and where possible alert emergency services.
2. Shut down engines and any fans or ventilation and close any doors/hatches open to the risk area.
3. Activate system by press and holding the Manual Activation Switch for 2-3 seconds to release the aerosol.
4. DO NOT open any doors/hatches to the risk area for at least 20 minutes, to prevent re-ignition.
5. After 20 minutes, the Aerosol will fall to the ground as dust. Check risk area that is safe and commence clean-up with warm, soapy water.

Safety Data Sheet (SDS) – FirePro - This is an EXTRACT ONLY from the full SDS.

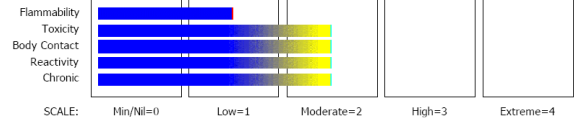


PRODUCT NAME CELANOVA FIREPRO

PRODUCT USE Fire extinguishing agent.

HAZARDOUS SUBSTANCE. DANGEROUS GOODS.
According to NOHSC Criteria, and ADG Code.

CHEMWATCH HAZARD RATINGS



SCALE: Min/Nil=0 Low=1 Moderate=2 High=3 Extreme=4



POISONS SCHEDULE - None

RISK

- Contact with combustible material may cause fire.
- Harmful if swallowed
- Irritating to eyes and skin.
- May cause SENSITISATION by skin contact.
- Harmful to aquatic organisms may cause long- adverse effects in the aquatic environment.
- Cumulative effects may result following exposure
- May produce discomfort of the respiratory. system*
- Possible respiratory sensitiser*.
- May possibly affect fertility* (limited evidence).

SAFETY

- Keep away from combustible material
- Avoid exposure - obtain special instructions before use.
- To clean the floor and all objects contaminated by this material use water and detergent.
- Keep away from food drink and animal feeding stuffs.
- In case of contact with eyes rinse with plenty term of water and contact Doctor or Poisons Information Centre.
- If swallowed IMMEDIATELY contact Doctor or. Poisons Information Centre (show this container or label).
- This material and its container must be disposed of as hazardous waste.

FIRST AID MEASURES

SWALLOWED

- If swallowed do NOT induce vomiting.
- If vomiting occurs, lean patient forward or place on left side (head-down position, if possible) to maintain open airway and prevent aspiration. Observe the patient carefully.
- Never give liquid to a person showing signs of being sleepy or with reduced awareness.
- Give water to rinse out mouth, then provide liquid slowly and as much as casualty can comfortably drink.
- Seek medical advice.

EYE

- If this product comes in contact with the eyes:
- Wash out immediately with fresh running water.
- Ensure complete irrigation of the eye.
- Seek medical attention without delay; if pain persists or recurs seek medical attention.
- Removal of contact lenses after an eye injury should only be undertaken by skilled personnel.

SKIN

- If skin contact occurs:
- Immediately remove all contaminated clothing, including footwear.
- Flush skin and hair with running water (and soap if available).
- Seek medical attention in event of irritation.

INHALED

- If dust is inhaled, remove from contaminated area.
- Encourage patient to blow nose to ensure clear passage of breathing.
- If irritation or discomfort persists, seek medical attention.