



TECHNICAL DATA SHEET

✉ sales@apreco.com

☎ +44(0)1885 485 070

Product Data

Items: EWCL5 listed single-way pressure relief vent with up to 4 Hour Fire Resistance rating in accordance to EN 1634-1:2014. Switchable flange for reverse flow configuration with up to 3 Hour Fire Resistance rating.

Standard Materials: Carbon steel frame and blades, stainless steel as an option.

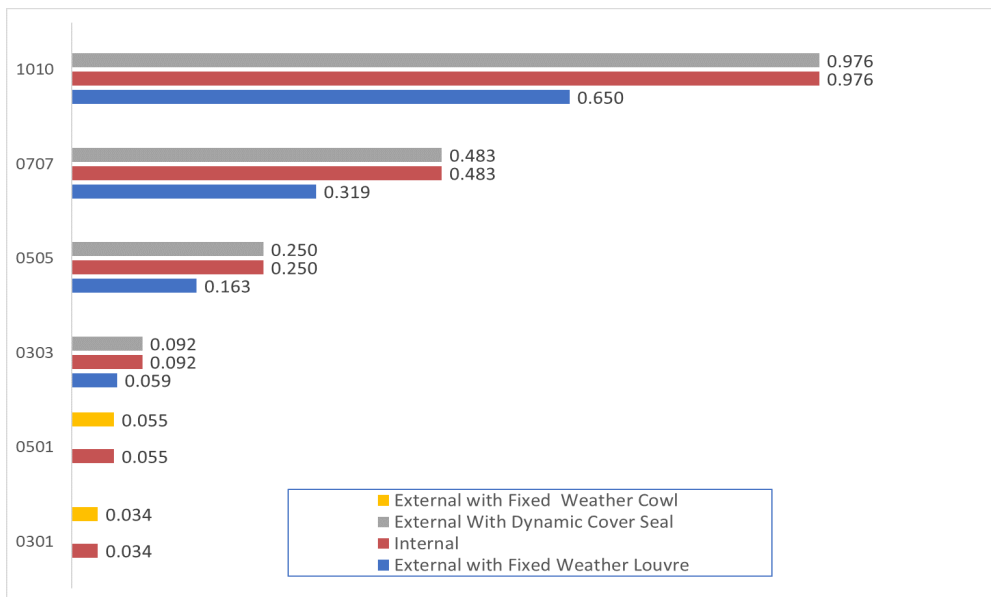
Standard Finish: White RAL 9010 powder coated. LUL Approved paint. Customer specific colours on request.

Pressure Setting: 100Pa fully open. Vents suitable for room integrity tests remaining closed below 70Pa.

Warranty: 10 Year.



Free Vent Equivalent Area m²



Compliant with ISO/TS 21805: 2018 Guidance on design, selection and installation of vents to safeguard the structural integrity of enclosures protected by gaseous fire suppression extinguishing systems.

Values based on pressure differentials of 100 Pascal and above following test methods used in EN 13030:2001.

Equivalent area based on BSRIA test figures and calculated in accordance with EN 13141-1:2004.

Dimensional Data

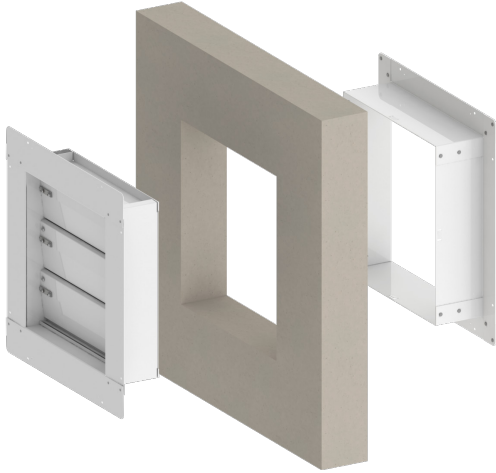
Model No.	Over flange size (W x H mm)	Installation hole size (W x H mm)	Indicative weight (Vent + Wall Liner)
IGV-0301	440 x 252	360 x 170	6.0 Kg
IGV-0501	640 x 252	560 x 170	7.0 Kg
IGV-0303	440 x 452	360 x 370	9.0 Kg
IGV-0505	640 x 652	560 x 570	17.0 Kg
IGV-0707	840 x 852	760 x 770	28.0 Kg
IGV-1010	1140 x 1152	1060 x 1070	50.0 Kg

TECHNICAL DATA SHEET

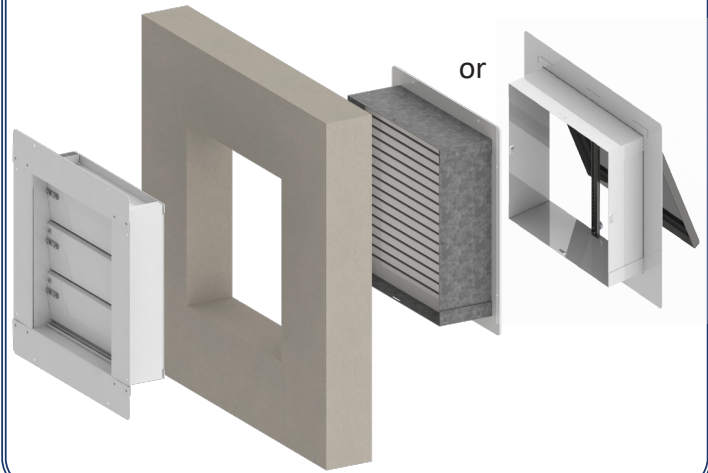
✉ sales@apreco.com

☎ +44(0)1885 485 070

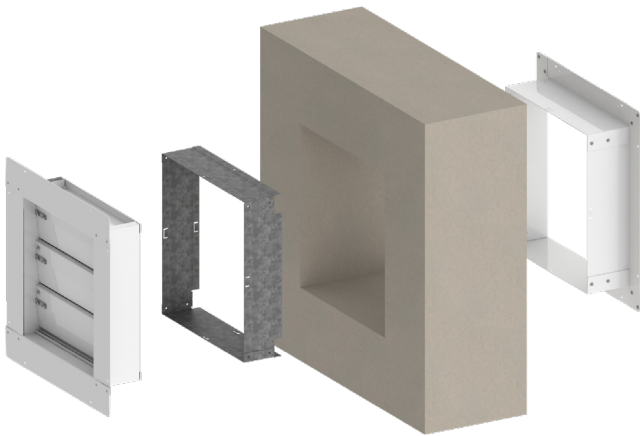
Typical Internal Wall Installation



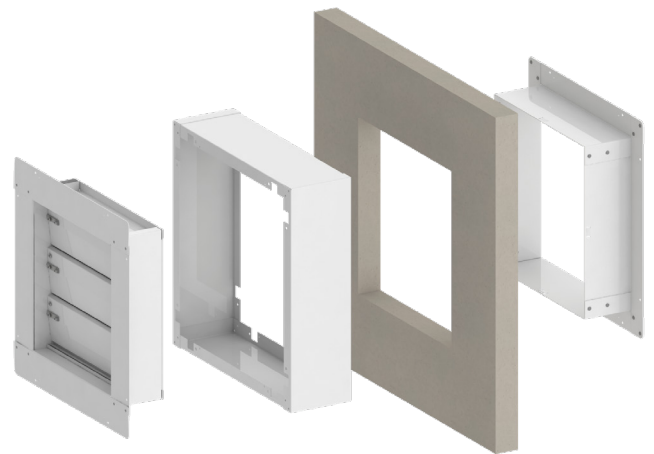
Typical External Wall Installation



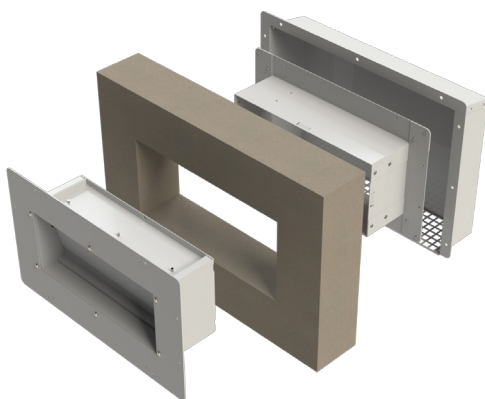
Typical Internal Deeper Wall Installation



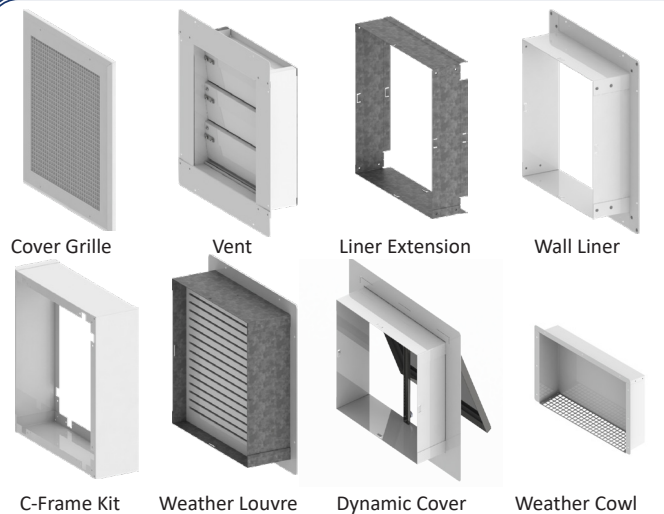
Typical Internal Narrow Wall Installation



Typical External Wall Installation with Cowl



Standard for Models 0301 & 0501



Standard internal wall depth range is 125 to 205mm with an external wall depth range of 200 to 220mm on model sizes of 0303 upwards. Models 0301 & 0501 for both internal and external standard wall depths have a range of 125 to 205mm. Extension sleeves can be added in 75mm increments to accommodate deeper walls. Bespoke / custom sizes are available to order.

Warranty is a Return-to-Base (RTB) for manufacturing defects of the vent only please refer to our T&C's.