



TECHNICAL DATA SHEET

✉ sales@apreco.com

☎ +44(0)1885 485 070

Product Data

Items: The Dual-Flo® provides 'True 2-way' operation for over and under pressure venting. EWCL5 listed pressure relief vent with up to 3 Hour Fire Resistance rating in accordance to EN 1634-1:2014.

Standard Materials: Carbon steel frame and blades.

Standard Finish: White RAL 9010 powder coated LUL Approved Paint. Customer specific colours on request.

Pressure Setting: Nominal 125Pa opening pressure and suitable for room integrity tests as they remain closed below 70Pa.

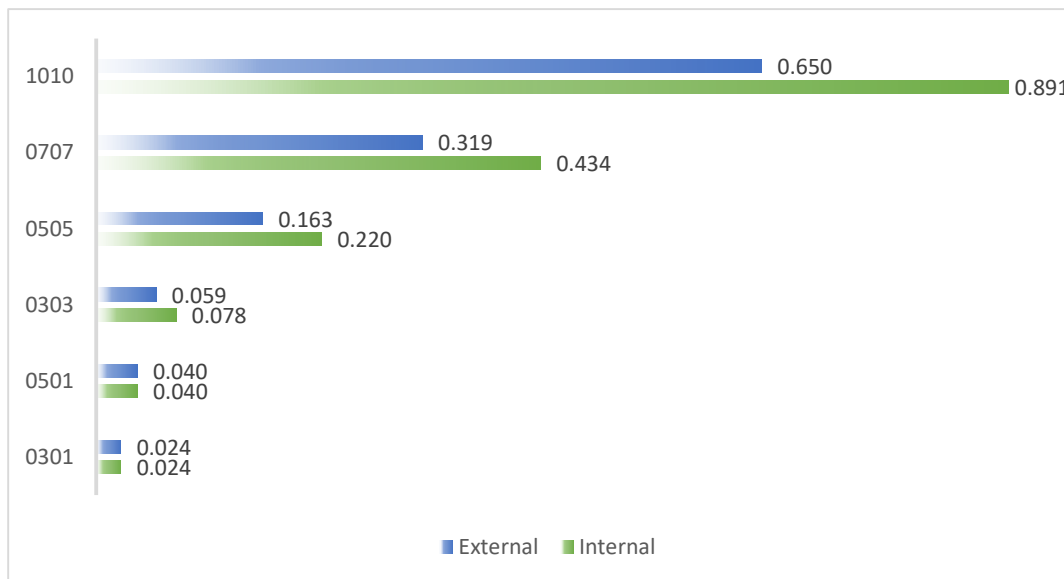
Warranty: 10 Year.



APPROVED
ME 5073
Patent number
EP-2456523



Free Vent Equivalent Area m²



Compliant with ISO/TS 21805: 2018 Guidance on design, selection and installation of vents to safeguard the structural integrity of enclosures protected by gaseous fire suppression extinguishing systems.

Equivalent area based on BSRIA test figures and calculated in accordance with EN 13141-1:2004.

Dimensional Data

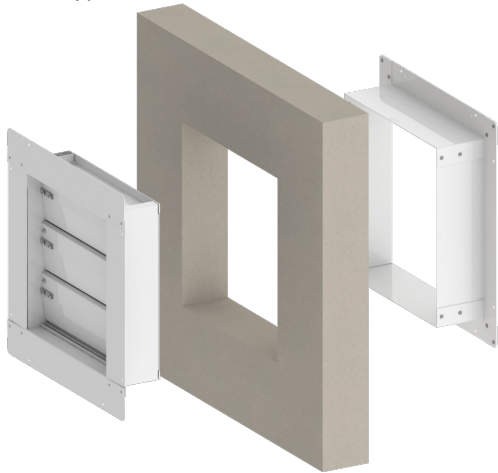
Model No.	Over flange size (W x H mm)	Installation hole size (W x H mm)	Indicative weight (Vent + Wall Liner)
SGV-0301	440 x 252	360 x 170	3.0 Kg
SGV-0501	640 x 252	560 x 170	7.5 Kg
SGV-0303	440 x 452	360 x 370	8.0 Kg
SGV-0505	640 x 652	560 x 570	17.0 Kg
SGV-0707	840 x 852	760 x 770	26.0 Kg
SGV-1010	1140 x 1152	1060 x 1070	43.0 Kg

TECHNICAL DATA SHEET

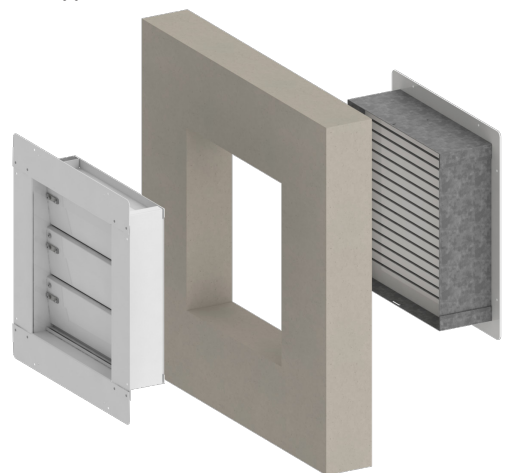
✉ sales@apreco.com

☎ +44(0)1885 485 070

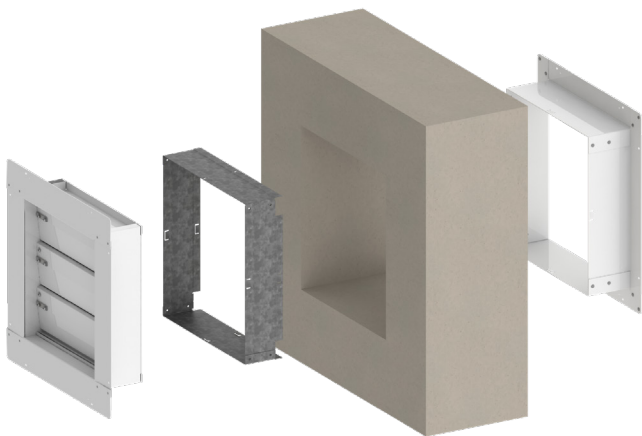
Typical Internal Wall Installation



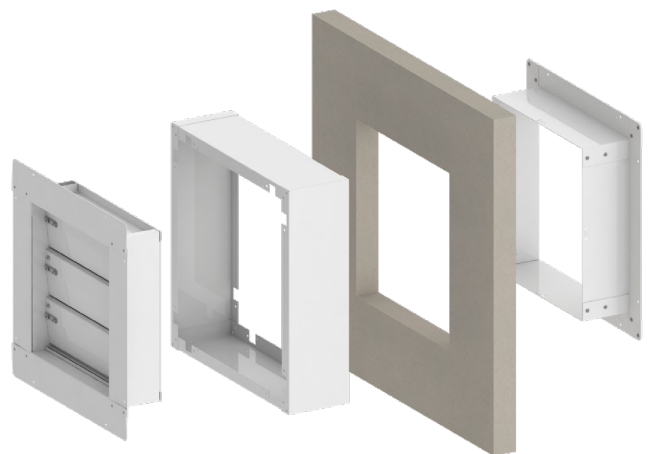
Typical External Wall Installation



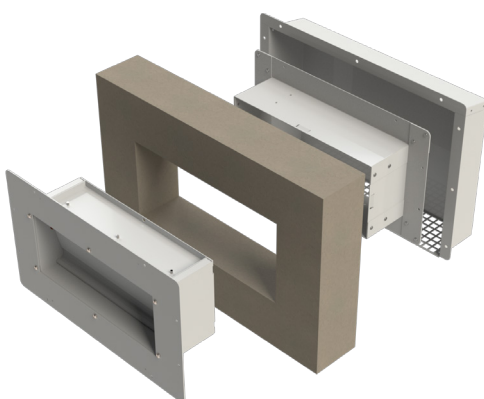
Typical Internal Deeper Wall Installation



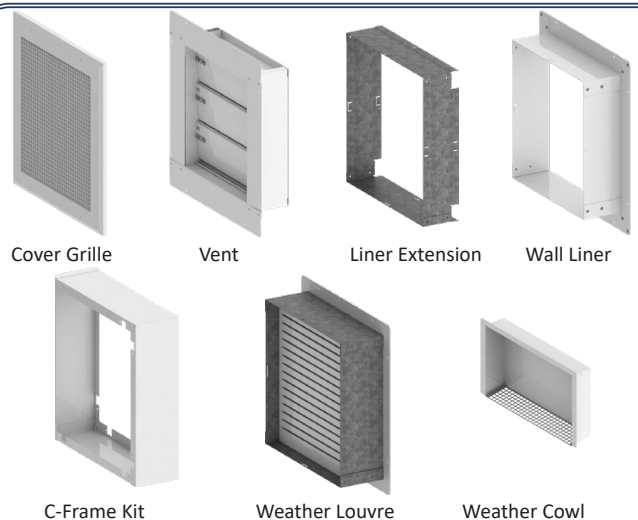
Typical Internal Narrow Wall Installation



Typical External Wall Installation with Cowl



Standard for Models 0301 & 0501



Standard internal wall depth range is 140 to 220mm with an external wall depth range of 220 to 240mm on model sizes of 0303 upwards. Models 0301 & 0501 for both internal and external standard wall depths have a range of 140 to 220mm. Extension sleeves can be added in 75mm increments to accommodate deeper walls. Bespoke / custom sizes are available to order.

Warranty is a Return-to-Base (RTB) for manufacturing defects of the vent only please refer to our T&C's.